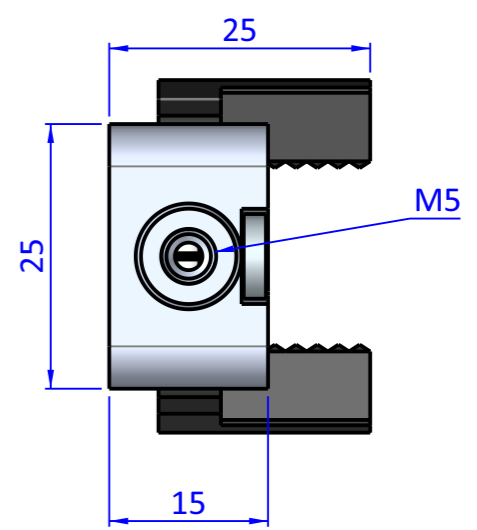
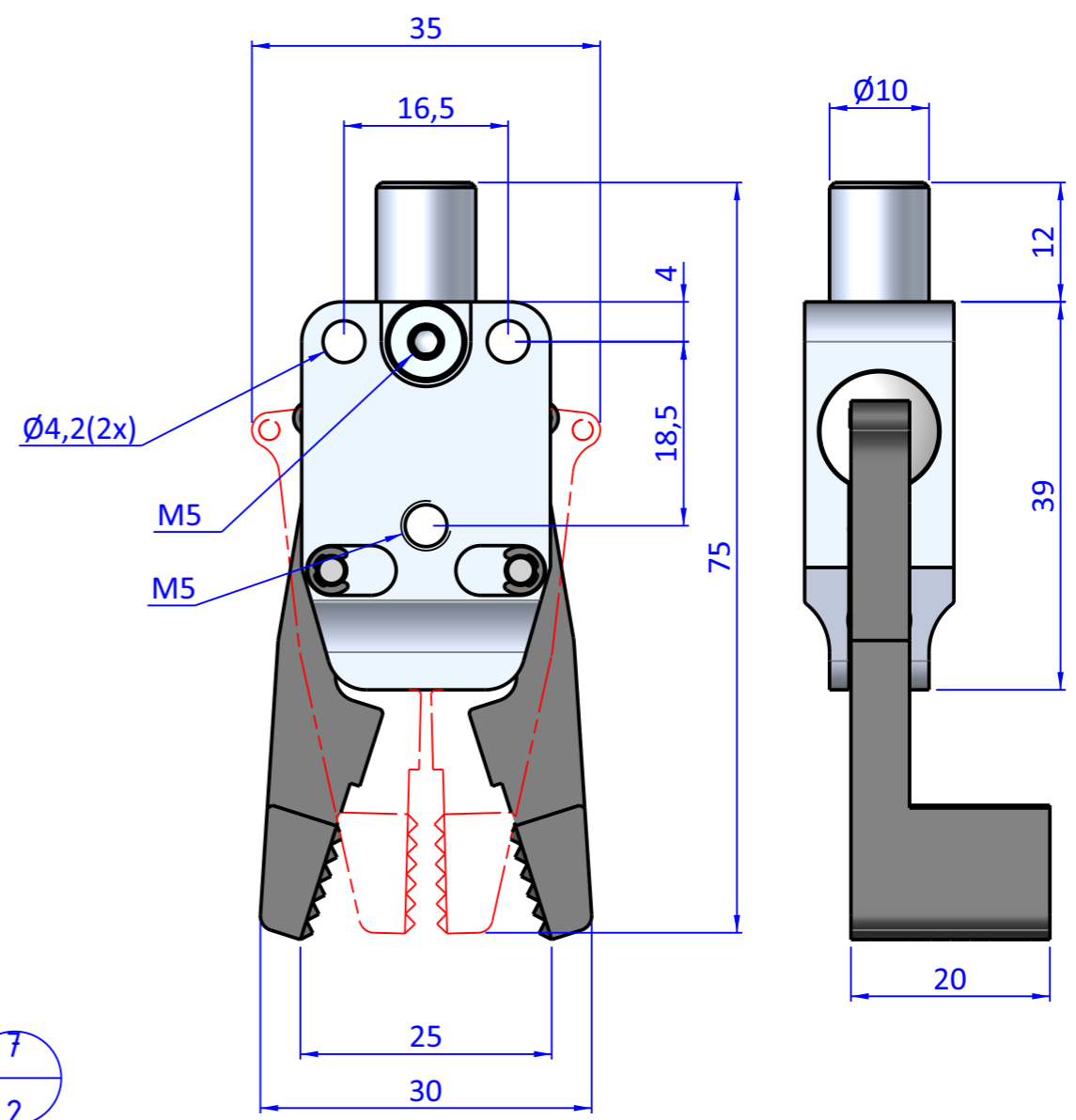
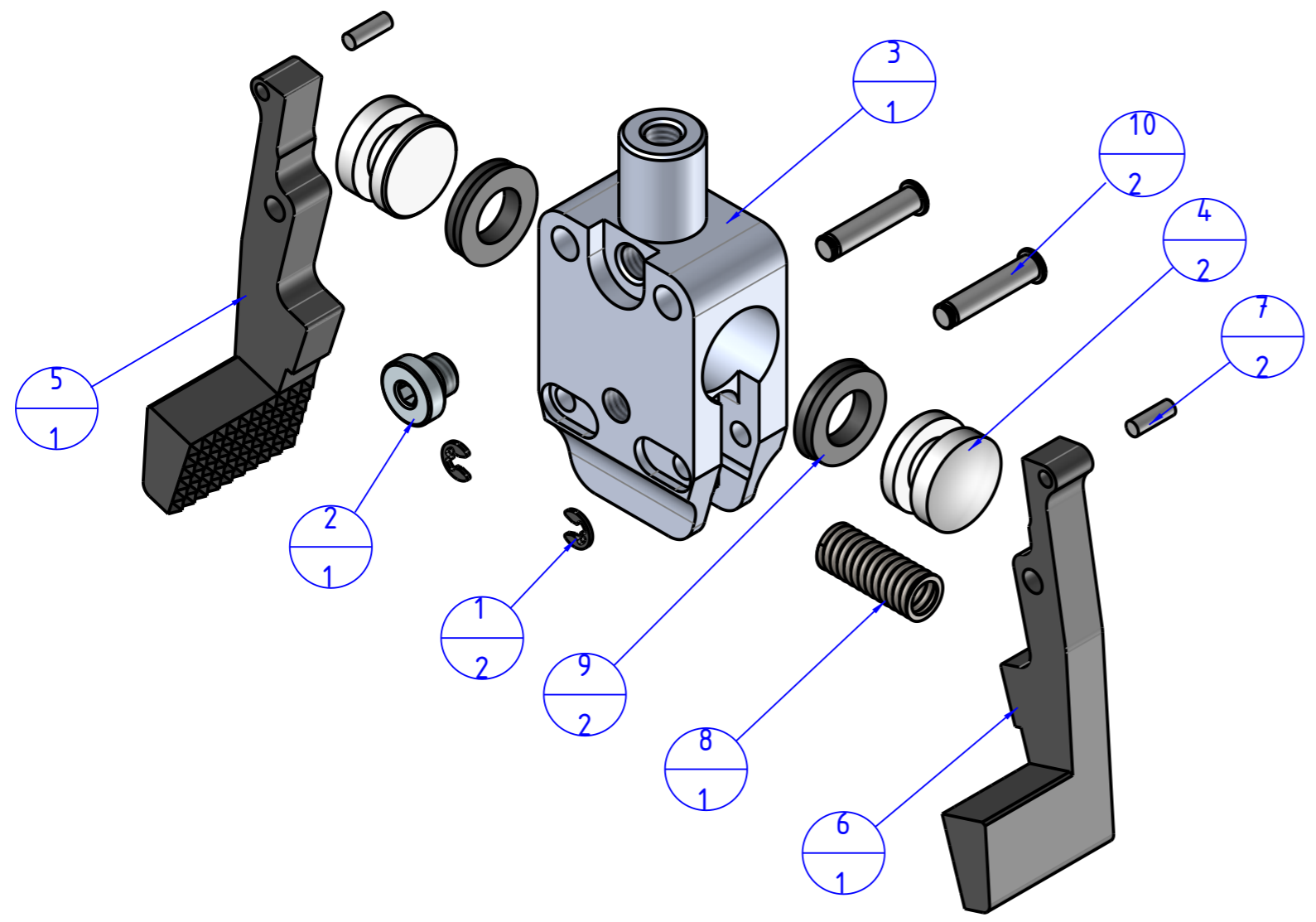



THE PROPERTY OF THE DRAWING IS ESTABLISHED BY LAW. IT IS FORBIDDEN TO PRODUCE OR SHOW IT TO THIRD PART. WITHOUT A WRITTEN AGREEMENT.

Item	Name	Q.ty
1	A.ELA.RA1.9	2
2	CA.08.14.013	1
3	GZA.10.12.1.L.01	1
4	GZA.10.12.2	2
5	GZA.10.12.3.L90D	1
6	GZA.10.12.3.L90S	1
7	GZA.10.12.9	2
8	M.6x25.SH	1
9	PSP.1269255	2
10	SP.3x15SS	2



Format A3
UNI 936-76

 FPS SERVICES AUTOMATION		DESIGNED FROM		REVIEW
		FPS Automation		A
GENERAL TOLERANCE		DATE	WEIGHT	
UNI - ISO 2768		13/07/2023	0,043kg	
CLASSE f		DESCRIPTION	CODE	
		CA.GZA.10.12.102	CA.GZA.10.12.102	